

think process!

WP Werner & Pfleiderer
Bakery Technologies



VACUSPEED[®]

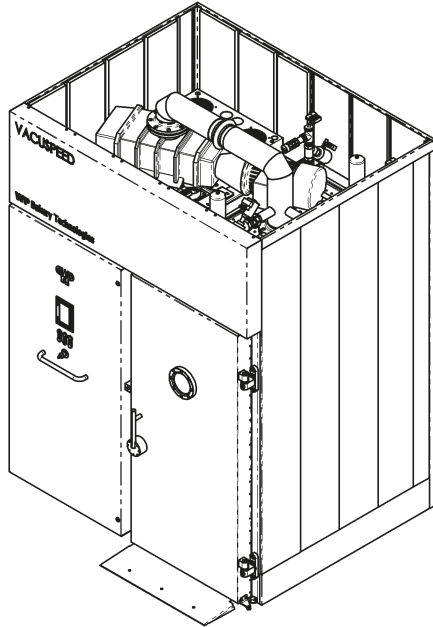
High performance vacuum cooling
Freshness and crispness the entire day

WP BAKERYGROUP

think process!

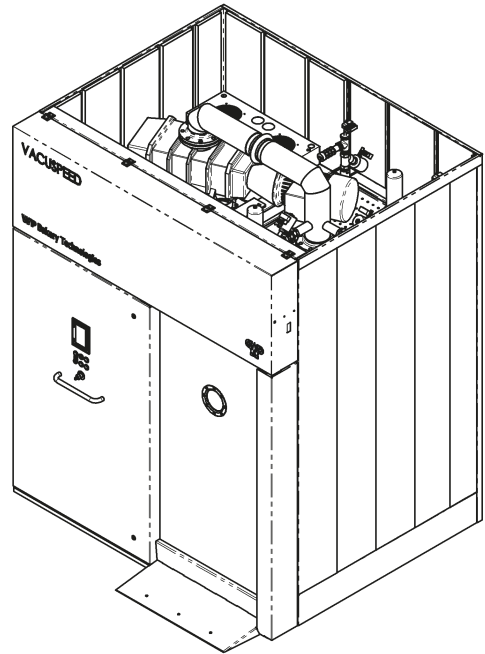
VACUSPEED® WITH REVOLVING DOOR

Integrated pump stand



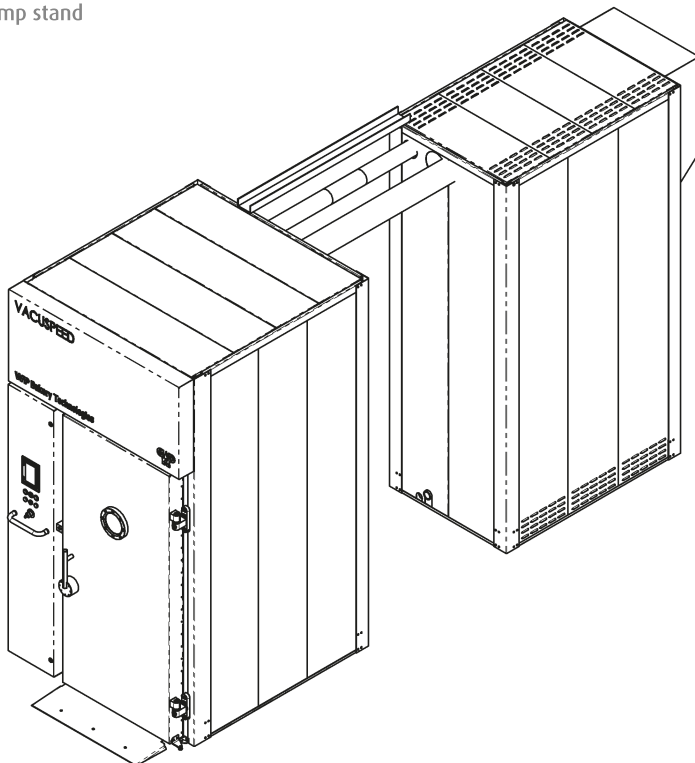
VACUSPEED® WITH SLIDING DOOR

Integrated pump stand



VACUSPEED® WITH REVOLVING DOOR

External pump stand



* all images Type VACUSPEED 14.5.10



VACUSPEED[®] WITH REVOLVING DOOR

TECHNICAL DATA

Type		VACUSPEED 14.5.10 DI	VACUSPEED 26.10 DI	VACUSPEED 14.5.10 DE	VACUSPEED 26.10 DE
Chamber door		Revolving door	Revolving door	Revolving door	Revolving door
Pump stand		Integrated pump stand	Integrated pump stand	External installation	External installation
Outer dimensions with pump stand (W x D x H)	mm	2,430 x 1,879 x 2,972	2,430 x 3,065 x 2,972	-	-
Outer dimensions without pump stand (W x D x H)	mm	-	-	1,706 x 1,879 x 2,983	1,706 x 3,065 x 2,983
Total weight	kg	4,350	5,350	4,500	5,500
Inner dimensions chamber (W x D x H)	mm	960 x 1,450 x 1,950	960 x 2,600 x 1,950	960 x 1,450 x 1,950	960 x 2,600 x 1,950
Building access opening (W x H)	mm	1,500 x 2,500	1,500 x 2,500	1,500 x 2,500	1,500 x 2,500
Door clearance (W x H)	mm	960 x 1,950	960 x 1,950	960 x 1,950	960 x 1,950
Rack trolley 640 x 790 x 1,800 for 580 x 780 mm baking tray		1 trolley lengthwise or 2 trolleys crosswise	3 trolleys lengthwise or 4 trolleys crosswise	1 trolley lengthwise or 2 trolleys crosswise	3 trolleys lengthwise or 4 trolleys crosswise
Rack trolley 660 x 810 x 1,800 for 600 x 800 mm baking tray		1 trolley lengthwise or 2 trolleys crosswise	3 trolleys lengthwise or 3 trolleys crosswise	1 trolley lengthwise or 2 trolleys crosswise	3 trolleys lengthwise or 3 trolleys crosswise
Rack trolley 640 x 990 x 1,800 for 580 x 980 mm baking tray		1 trolley lengthwise	2 trolleys lengthwise	1 trolley lengthwise	2 trolleys lengthwise
Rack trolley 660 x 1,010 x 1,800 for 600 x 1,000 mm baking tray		1 trolley lengthwise	2 trolleys lengthwise	1 trolley lengthwise	2 trolleys lengthwise
Pump stand					
Connected load	kW	19	19	19	19
Optional water cooler					
Cooling capacity approx.	kW	30	30	30	30
Connected electrical load approx.	kW	15 to 20	15 to 20	15 to 20	15 to 20

VACUSPEED® WITH SLIDING DOOR

TECHNICAL DATA

Type		VACUSPEED 14.5.10 SI	VACUSPEED 26.10 SI
Chamber door		Sliding door	Sliding door
Pump stand		Integrated pump stand	Integrated pump stand
Outer dimensions with pump stand (W x D x H)	mm	2,430 x 1,976 x 2,972	2,430 x 3,166 x 2,972
Total weight	kg	4,350	5,350
Inner dimensions chamber (W x D x H)	mm	960 x 1,450 x 1,950	960 x 2,600 x 1,950
Building access opening (W x H)	mm	1,500 x 2,500	1,500 x 2,500
Door clearance (W x H)	mm	960 x 1,950	960 x 1,950
Rack trolley 640 x 790 x 1,800 for 580 x 780 mm baking tray		1 trolley lengthwise or 2 trolleys crosswise	3 trolleys lengthwise or 4 trolleys crosswise
Rack trolley 660 x 810 x 1,800 for 600 x 800 mm baking tray		1 trolley lengthwise or 2 trolleys crosswise	3 trolleys lengthwise or 3 trolleys crosswise
Rack trolley 640 x 990 x 1,800 for 580 x 980 mm baking tray		1 trolley lengthwise	2 trolleys lengthwise
Rack trolley 660 x 1,010 x 1,800 for 600 x 1,000 mm baking tray		1 trolley lengthwise	2 trolleys lengthwise

Pump stand

Connected load	kW	19	19
----------------	----	----	----

Optional water coolers

Cooling capacity approx.	kW	30	30
Connected electrical load approx.	kW	15 to 20	15 to 20

WERNER & PFLEIDERER LEBENSMITTELTECHNIK GMBH

von-Raumer-Str. 8-18 // D-91550 Dinkelsbühl // Phone +49 9851-905-0 // Fax +49 9851-905-8342 // info@wp-l.de // www.wp-l.de // www.wpbakerygroup.com